



www.axxair.com

V3.5-11-2014

PREFAB WELDING

PREFAB WELDING



MADE IN FRANCE

GLOBAL PROCESS

www.axxair.com

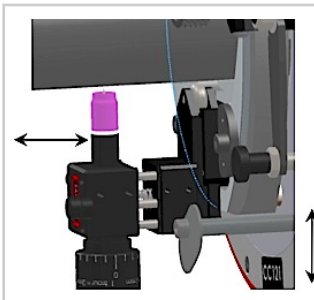
Ø12 - Ø121 mm
 ø0,45 to ø4,5 "



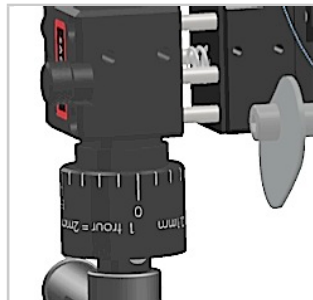
Technical Specifications

- Basic **stainless steel** jaws Ø 1" to 4,5" (Ø 24 to Ø 121 mm)
- Included stainless steel auxiliary jaws Ø 0,45" to 4,25" (Ø12 to Ø108mm)
- **Electric rotation autoline 110 V - 230V**
- Wide diameter range
- **Air-cooled:** max. current 100 A at 100%
- **Water-cooled:** max. current 200 A at 100%
- Scalability: may be transformed into a cutting and orbital beveling machine

Weight: 45 kg



Axial adjustment for precise positioning



Radial adjustment for precise positioning



Driven by AXXAIR power source (cf compatibility table)



Mechanical profile guide: constant arc voltage

References	Accessories	Consumables
	CCPS21: support feet FS29 /FS25: 220 V FS19 / FS15: 110 V	
SP121-A	MS18B-2 : 1800W / 220V MS18B-1 : 1800W /110 V	SCE16-50 Ø 1,6 mm
SP121-E	GA10-2-xxx: 220 V GA10-1-xxx: 110 V GA15S-220 : 220 V GA15S-110 : 110 V CCSER1/CCSER2: simple/bearing stand	SCE24-50 Ø 2,4 mm



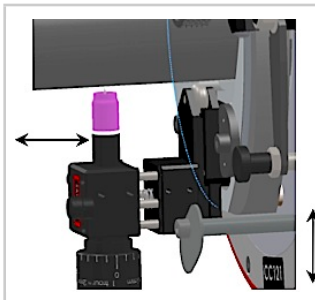
ø16 - ø170 mm
ø0,625 to ø6,625 "



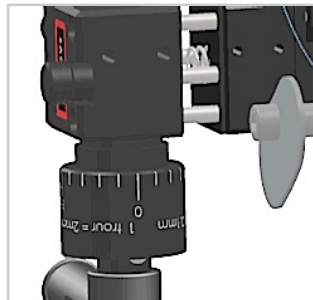
Technical Specifications

- Basic **stainless steel** jaws Ø 2,75" to 6,625" (Ø70 to Ø 168 mm)
- Included stainless steel auxiliary jaws Ø 0,625" to 4,65" (Ø 16 to Ø 118 mm)
- **Electric rotation autoline 110 V - 230V**
- Wide diameter range
- **Air-cooled:** max. current 100 A at 100%
- **Water-cooled:** max. current 200 A at 100%
- **Scalability:** may be transformed into a cutting and orbital bevelling machine

Weight: 52 kg



Axial adjustment for precise positioning



Radial adjustment for precise positioning



Driven by AXXAIR power source (cf compatibility table)



Mechanical profile guide: constant arc voltage

References	Accessories	Consumables
	CCPS21: support feet FS29 /FS25: 220 V FS19 / FS15: 110 V	
SP171-A	MS18B-2 : 1800W / 220V MS18B-1 : 1800W /110 V	SCE16-50 Ø 1,6 mm
SP171-E	GA10-2-xxx: 220 V GA10-1-xxx: 110 V GA15S-220 : 220 V GA15S-110 : 110 V CCSER1/CCSER2: simple/bearing stand	SCE24-50 Ø 2,4 mm



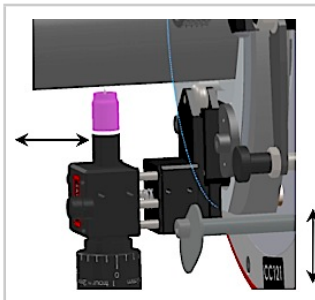
ø59 - ø225 mm
ø2 to ø8,625 "



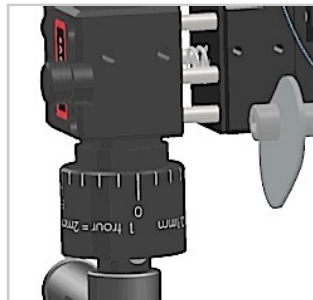
Technical Specifications

- Basic **stainless steel** jaws Ø 4,5" to 8,625 (Ø 116 to Ø 219 mm)
- Included stainless steel auxiliary jaws Ø 2" to 6,65" (Ø 59 to Ø 169 mm)
- **Electric rotation autoline 110 V - 230V**
- Wide diameter range
- **Water-cooled:** max. current 200 A at 100%
- **Scalability:** may be transformed into a cutting and orbital welding machine

Weight: 59 kg



Axial adjustment for precise positioning



Radial adjustment for precise positioning



Driven by AXXAIR power source (cf compatibility table)



Mechanical profile guide: constant arc voltage

References	Accessories	Consumables
SP221-E	CCPS21: support feet	
	FS29 /FS25: 220 V FS19 / FS15: 110 V	
	MS18B-2 : 1800W / 220V MS18B-1 : 1800W /110 V	SCE16-50 Ø 1,6 mm
	GA10-2-xxx: 220 V GA10-1-xxx: 110 V	SCE24-50 Ø 2,4 mm
	GA15S-220 : 220 V GA15S-110 : 110 V	
	CCSER1/CCSER2: simple/bearing stand	



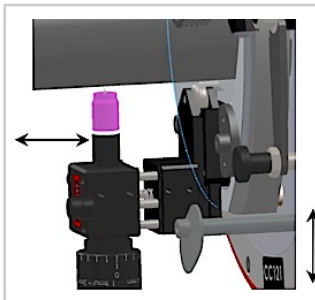
ø140 - ø330 mm
ø5,5 to ø12,75"



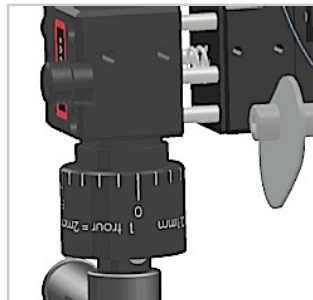
Technical Specifications

- Basic **stainless steel** jaws Ø 8,5" to 12,75" (Ø 216 to Ø 323 mm)
- Included stainless steel auxiliary jaws Ø 5,5" to 10" (Ø 140 to Ø 256 mm)
- **Electric rotation autoline 110 V - 230V**
- Wide diameter range
- **Air-cooled**: max. current 100 A at 100%
- **Water-cooled**: max. current 200 A at 100%
- **Scalability**: may be transformed into a cutting and orbital welding machine

Weight: 81 kg



Axial adjustment for precise positioning



Radial adjustment for precise positioning



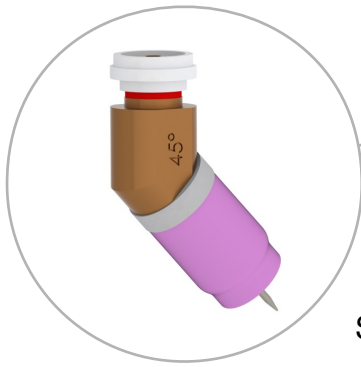
Driven by AXXAIR power source (cf compatibility table)



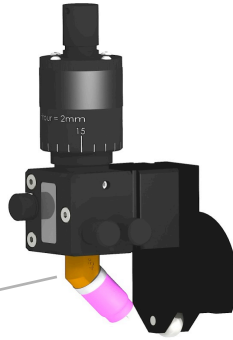
Mechanical profile guide: constant arc voltage

References	Accessories	Consumables
SP321-E	CCPS21: support feet	
	FS29 /FS25: 220 V FS19 / FS15: 110 V	
	MS18B-2 : 1800W / 220V MS18B-1 : 1800W /110 V	SCE16-50 Ø 1,6 mm
	GA10-2-xxx: 220 V GA10-1-xxx: 110 V	SCE24-50 Ø 2,4 mm
	GA15S-220 : 220 V GA15S-110 : 110 V	
	CCSER1/CCSER2: simple/bearing stand	

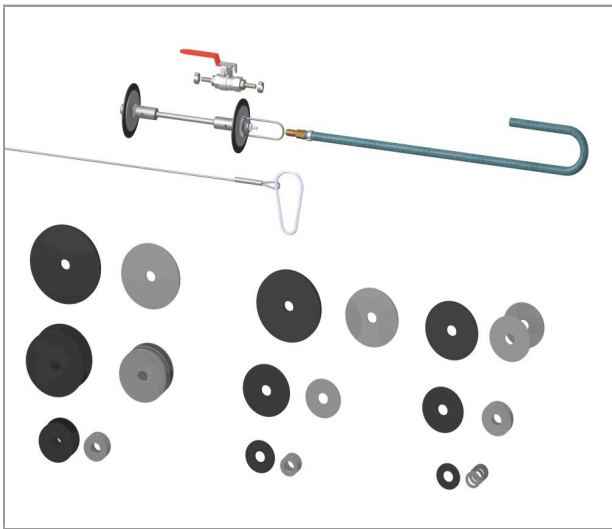




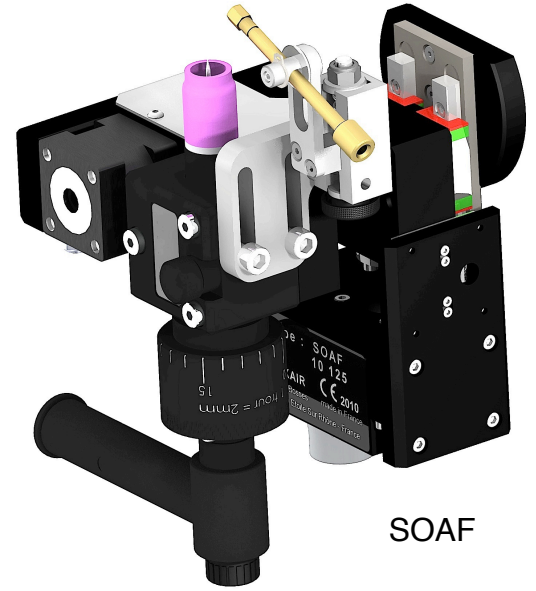
SKTDI-xx°



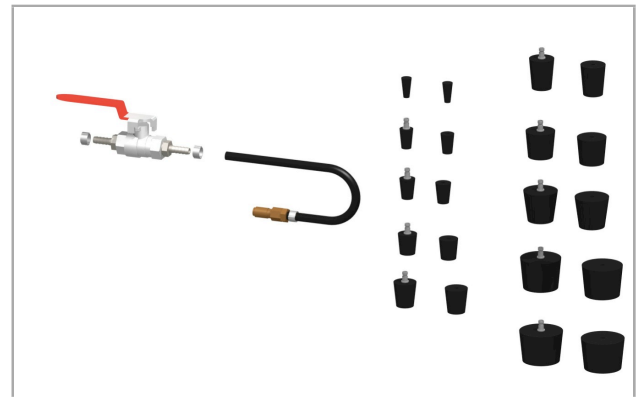
V3.5-11-2014



SKIF-01



SOAF



SKIB-01

Accessories	Consumables	Options
<p>SKIB-01: gas protection kit - plugs Ø6 to 41 mm</p> <p>SKIF-01: gas protection kit - membranes Ø40 to 120 mm</p>	<p>SCE16-50 Ø 1.6 mm</p> <p>SCE24-50 Ø 2.4 mm</p> <p>SKTDI-30: 30° inclined torch kit</p> <p>SKTDI-45: 45° inclined torch kit</p>	<p>SOAF: AVC/OSC for SC with wire feeder and water torch</p>

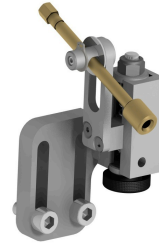




SADDD-15



SADF2



SADFP-02



CCBSB-001



CCBSB-002



SCE16-50



SCE24-50

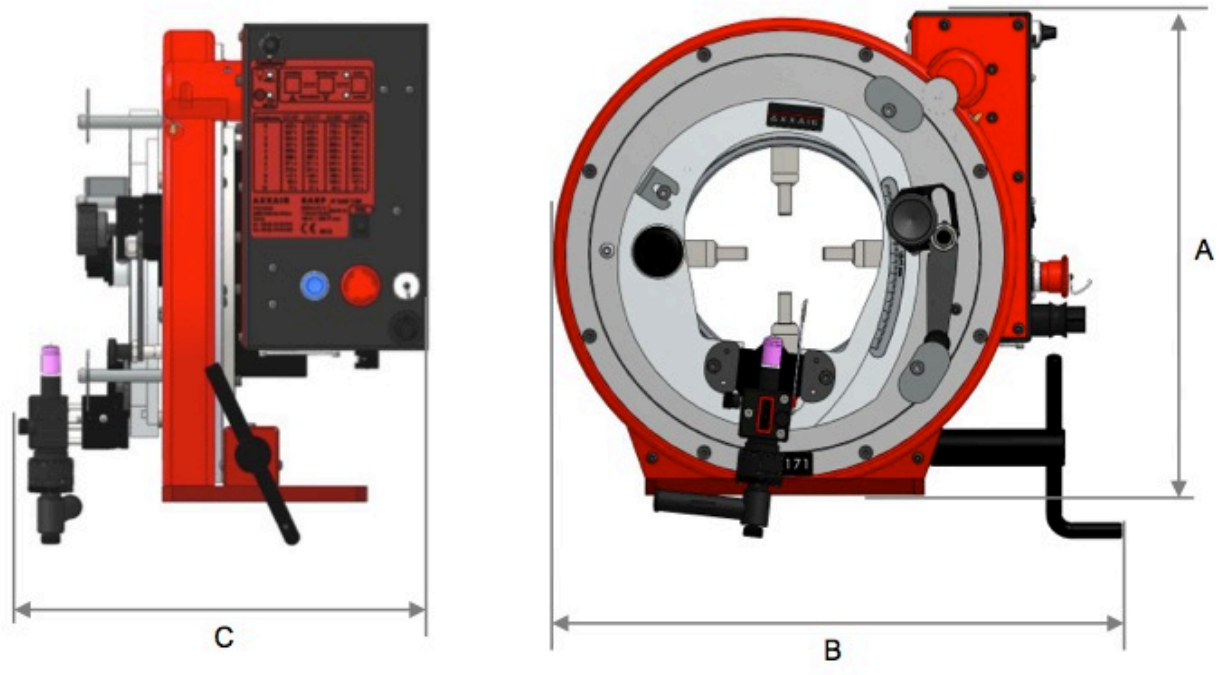


SKTD

Accessories	Consumables	Options
SKTD-01: spares kit for straight torch Ø1.6 mm	SCE16-50 Ø 1.6 mm	SADF2: external wire feeder
SKTD-02: spares kit for straight torch Ø2.4 mm	SCE24-50 Ø 2.4 mm	SADFP-02: wire guide
CCBSB-001: bench with height adjustment - 1.5 m	SKTDI-30: 30° inclined torch kit	SADDD-15 : Dual flow meter
CCBSB-002: additional 1.5 m bench	SKTDI-45: 45° inclined torch kit	



Dimensions



	A mm	B mm	C mm	Ø min	Ø max		
SP121-A / SP121-E	418	521	400	12 mm	121 mm	45 kg	<70dB
SP171-A / SP171-E	459	520	400	16 mm	170 mm	52 kg	<70dB
SP221-E	503	545	401	59 mm	225 mm	59 kg	<70dB
SP321-E	674	636	401	140 mm	330 mm	81 kg	<70dB

PREFAB WELDING



MADE IN FRANCE

GLOBAL PROCESS

www.axxair.com